

A

B

C

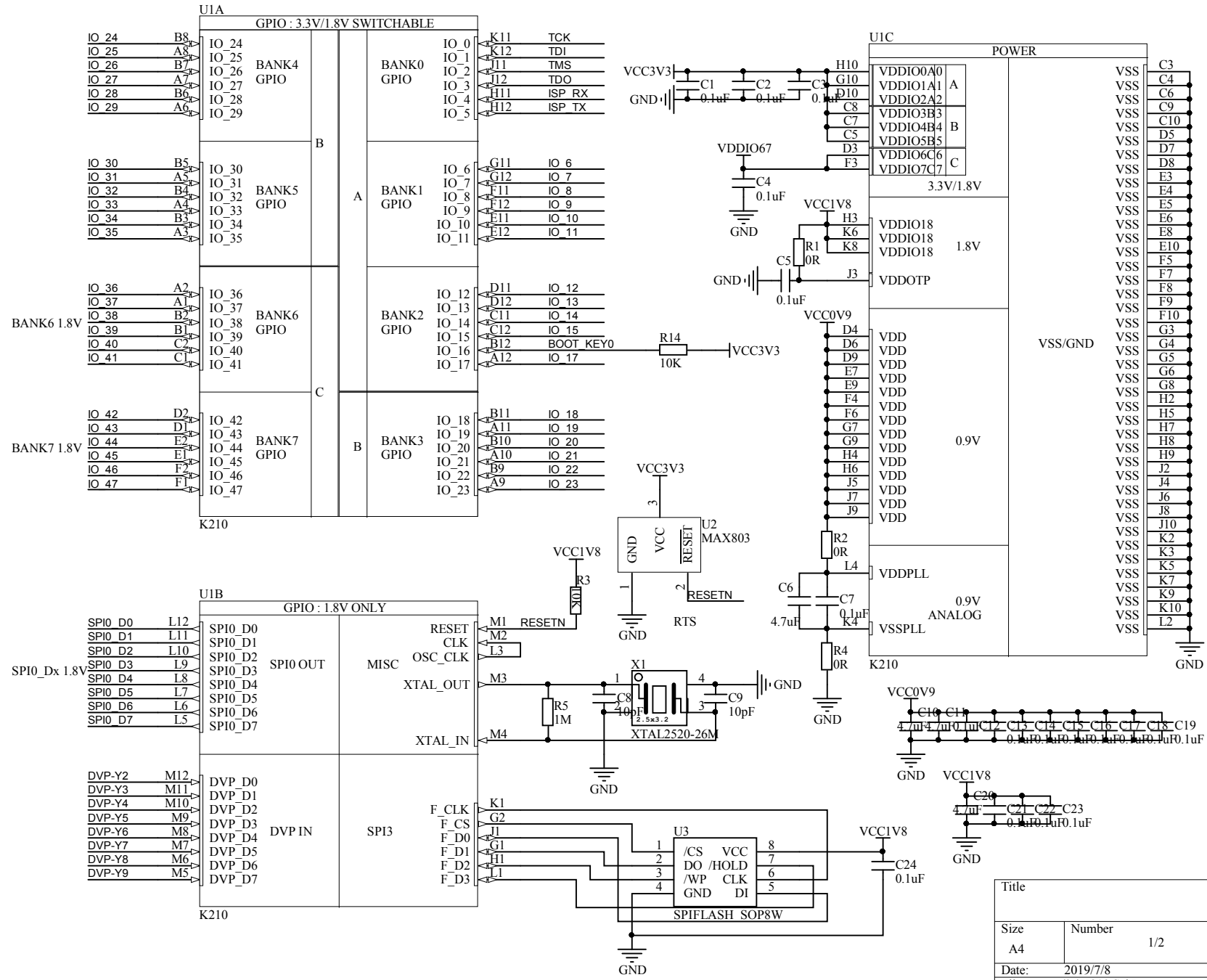
D

A

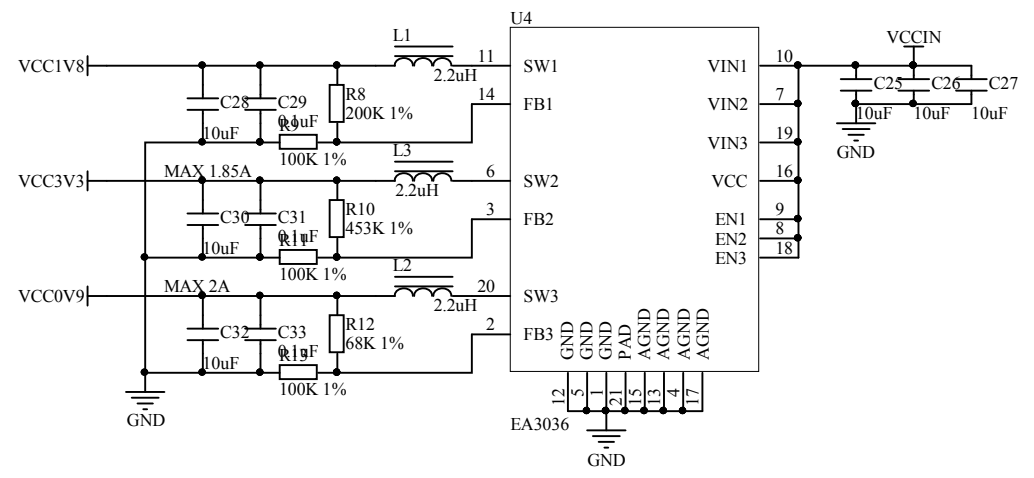
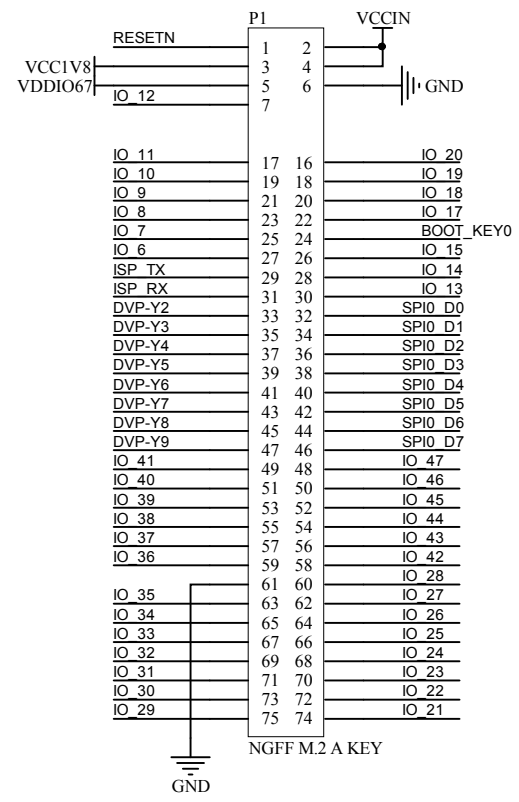
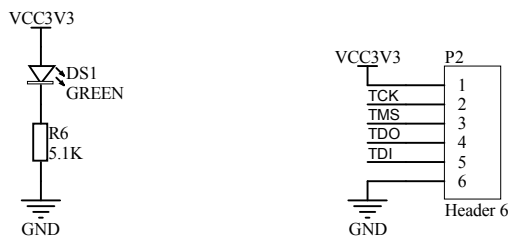
B

C

D



Title			
Size	Number	Revision	
A4	1/2	0.2	
Date:	2019/7/8	Sheet of	
File:	\\.\K210_SchDoc	Drawn By:	mango



Title		
Size A4	Number 2/2	Revision 0.2
Date: 2019/7/8	Sheet of	
File: \\.\Periph.SchDoc	Drawn By: mango	