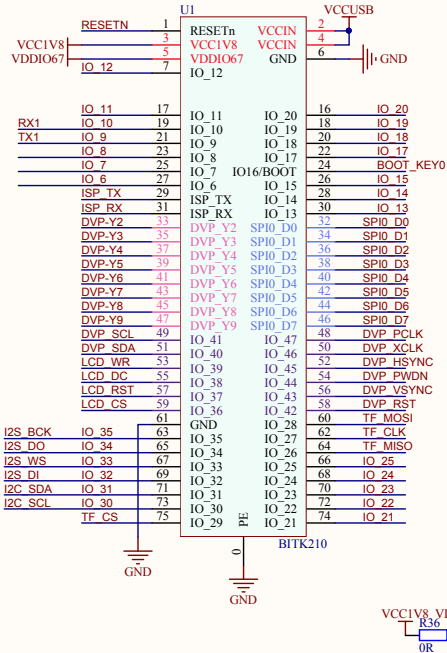
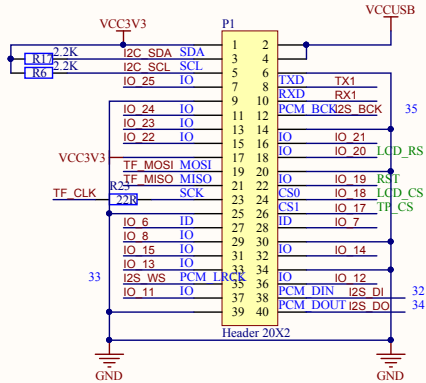


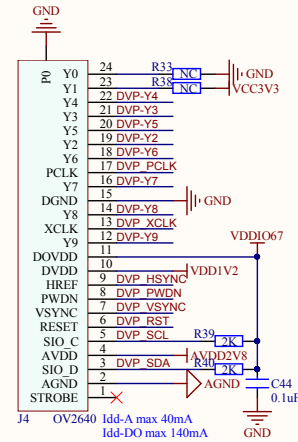
BITK210 Connector(NGFF KEY A 3.2H)



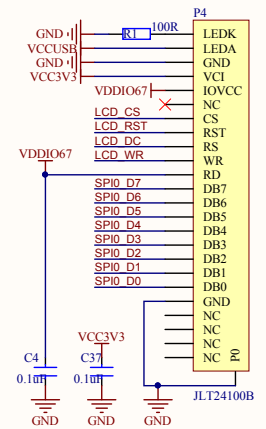
RPI 40Pin



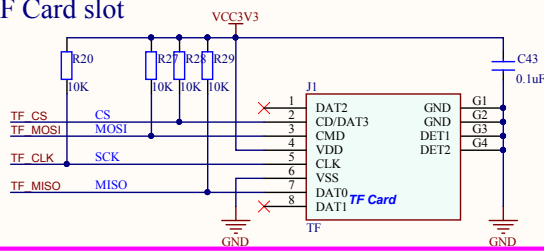
DVP



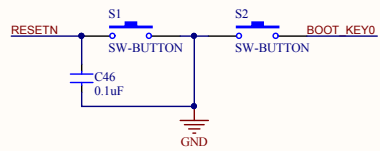
LCD



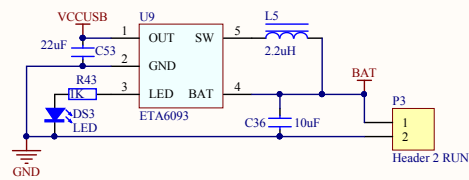
TF Card slot



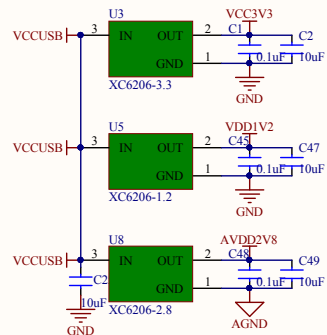
BUTTON



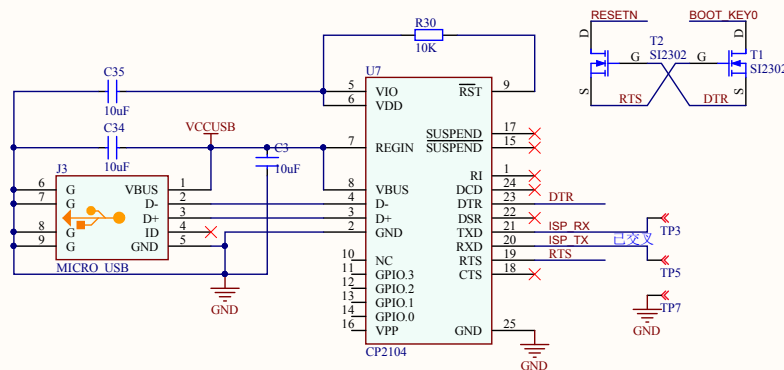
BATTERY CHARGE



POWER



USB-TTL-ISP



Title		
Size	Number	Revision
A3		
Date:	2019/6/27	Sheet of
File:	\\.\Periph.SchDoc	Drawn By: